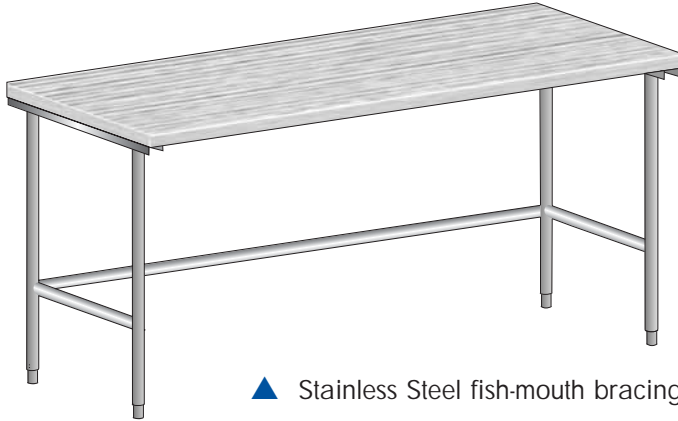


tables

MAPLE TOP



▲ Stainless Steel fish-mouth bracing

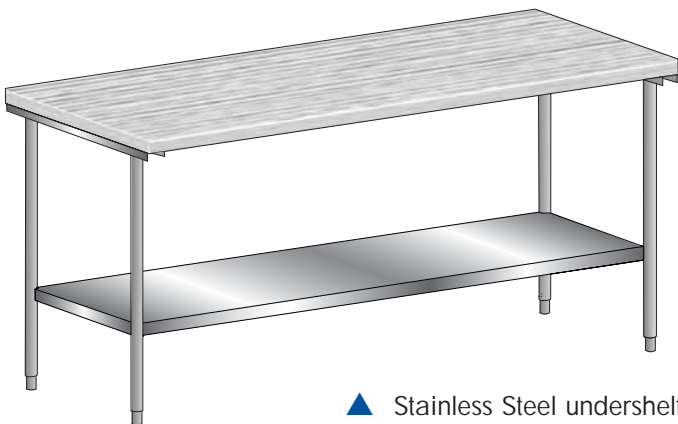
STANDARD M&E FEATURES

- All Stainless Steel is high quality 304 series Stainless Steel.
 - 1 3/4" thick, hard maple top.
 - Stainless Steel legs with 1" adjustable bullet feet.
 - 34" to 35" work surface height.
- *All tables 84" and up come standard with 6 legs for extra support.

ALSO AVAILABLE (specify when ordering)

- 36" work surface height.
- Back and side splashes, with or without coved intersections available.
- Other sizes available. Please call the factory.

See accessories page for more options.



▲ Stainless Steel undershelf

BRACING

Model #	Size W x D	Weight
100W 2424	24" X 24"	60 LBS.
100W 3624	36" X 24"	80 lbs.
100W 4824	48" X 24"	90 lbs.
100W 6024	60" X 24"	105 lbs.
100W 7224	72" X 24"	120 lbs.
100W 8424*	84" X 24"	135 lbs.
100W 9624*	96" X 24"	160 lbs.
100W 12024*	120" X 24"	190 lbs.
100W 3030	30" X 30"	75 lbs.
100W 3630	36" X 30"	90 lbs.
100W 4830	48" X 30"	110 lbs.
100W 6030	60" X 30"	130 lbs.
100W 7230	72" X 30"	150 lbs.
100W 8430*	84" X 30"	170 lbs.
100W 9630*	96" x 30"	195 lbs.
100W 12030*	120" X 30"	220 lbs.
100W 3636	36" X 36"	115 lbs.
100W 4836	48" X 36"	145 lbs.
100W 6036	60" X 36"	175 lbs.
100W 7236	72" x 36"	195 lbs.
100W 8436*	84" x 36"	215 lbs.
100W 9636*	96" x 36"	240 lbs.
100W 12036*	120" X 36"	270 lbs.

UNDERSHELF

Model #	Size W x D	Weight
100UW 2424	24" X 24"	70 LBS.
100UW 3624	36" X 24"	90 lbs.
100UW 4824	48" X 24"	100 lbs.
100UW 6024	60" X 24"	120 lbs.
100UW 7224	72" X 24"	135 lbs.
100UW 8424*	84 "X 24"	155 lbs.
100UW 9624*	96" X 24"	180 lbs.
100UW 12024*	120" X 24"	220 lbs.
100UW 3030	30" X 30"	85 lbs.
100UW 3630	36" X 30"	110 lbs.
100UW 4830	48" X 30"	135 lbs.
100UW 6030	60" X 30"	160 lbs.
100UW 7230	72" X 30"	180 lbs.
100UW 8430*	84" X 30"	200 lbs.
100UW 9630*	96" x 30"	225 lbs.
100UW 12030*	120" X 30"	255 lbs.
100UW 3636	36" X 36"	140 lbs.
100UW 4836	48" x 36"	175 lbs.
100UW 6036	60" X 36"	210 lbs.
100UW 7236	72" x 36"	240 lbs.
100UW 8436*	84" x 36"	260 lbs.
100UW 9636*	96" x 36"	290 lbs.
100UW 12036*	120" X 36"	325 lbs.