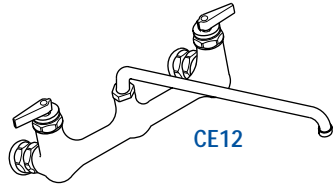
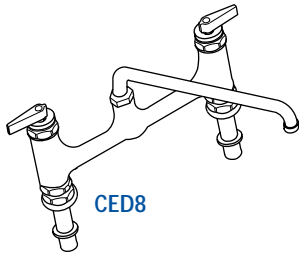


# sinks

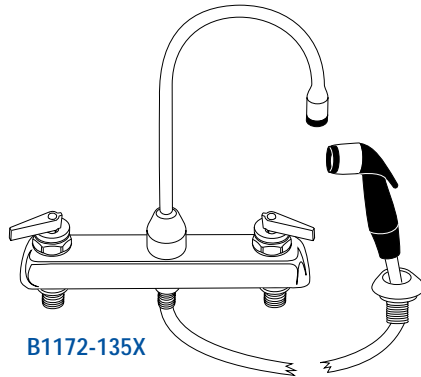
## SINK ACCESSORIES



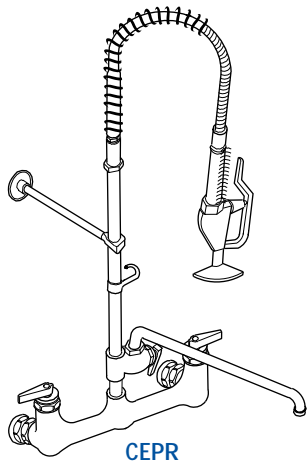
CE12



CED8



B1172-135X



CEPR

### SPLASH MOUNT FAUCETS, 8" O.C.

Model #	Description	Weight
<b>COMPONENT "ENCORE" BRAND</b>		
CE8	Faucet with 8" Nozzle	7 lbs.
CE12	Faucet with 12" Nozzle	8 lbs.
CE14	Faucet with 14" Nozzle	8 lbs.
CE18DJ	Faucet with 18" Double Jointed nozzle	9 lbs.
<b>T&amp;S BRAND</b>		
TS8	Faucet with 8" Nozzle	7 lbs.
TS12	Faucet with 12" Nozzle	8 lbs.
TS14	Faucet with 14" Nozzle	8 lbs.
TS18DJ	Faucet with 18" Double Jointed nozzle	9 lbs.

### DECK MOUNT FAUCETS, 8" O.C.

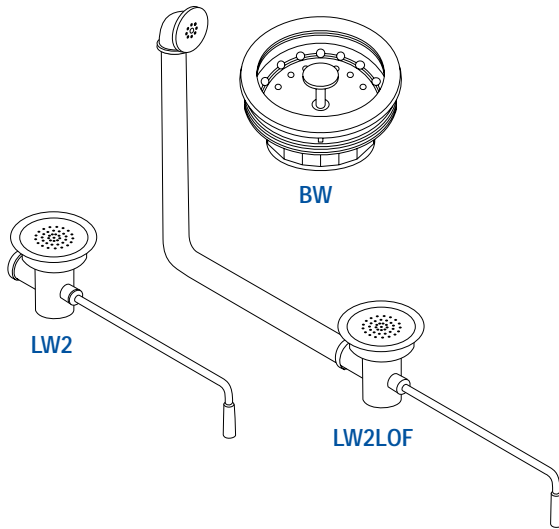
Model #	Description	Weight
<b>COMPONENT "ENCORE" BRAND</b>		
CE8	Faucet with 8" Nozzle	7 lbs.
CE12	Faucet with 12" Nozzle	8 lbs.
CE14	Faucet with 14" Nozzle	8 lbs.
CE18DJ	Faucet with 18" Double Jointed Nozzle	9 lbs.
<b>T&amp;S BRAND</b>		
B1172-135X	Deck Mount Faucet w/Swivel Gooseneck Nozzle and Spray Hose	6 lbs.

### SPLASH MOUNT PRE-RINSE UNITS, 8" O.C., WITH ADD-ON FAUCET

Model #	Description	Weight
<b>COMPONENT "ENCORE" BRAND</b>		
CEPR	Pre-rinse Unit with 14" Add-on	21 lbs.
CEPR8	Pre-rinse Unit with 8" Add-on	21 lbs.
<b>T&amp;S BRAND</b>		
TSPR	Pre-rinse Unit with 14" Add-on	21 lbs.
TSPR8	Pre-rinse Unit with 8" Add-on	21 lbs.

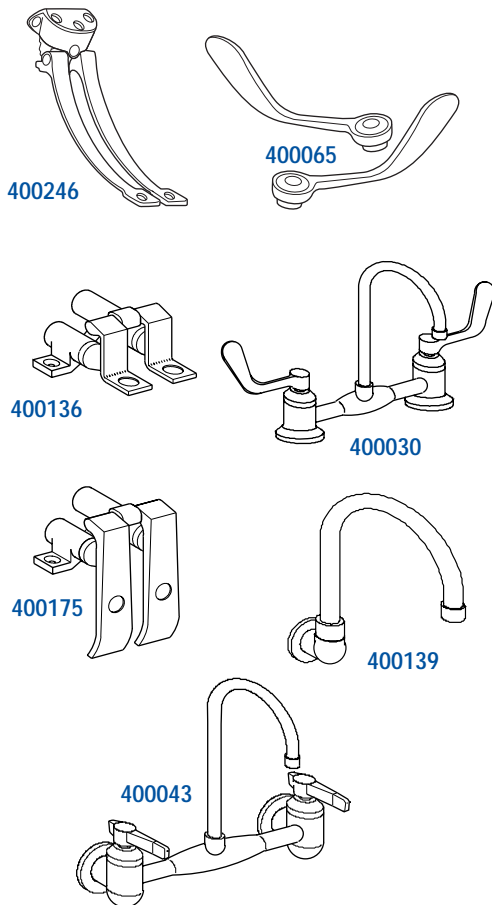
# sinks

## SINK ACCESSORIES



### WASTE OUTLETS

Model #	Description	Weight
<b>LEVER WASTES</b>		
LW2	2" Lever Waste	4 lbs.
LW2RB	LW2 with Removable Basket	4 lbs.
LW15	1-1/2" Lever Waste	4 lbs.
LW2LOF	2" Lever Waste with Rear Overflow	5 lbs.
<b>BASKET WASTE</b>		
BW	Basket Waste (For 3-1/2" to 4" openings)	1 lbs.



### HAND SINK ACCESSORIES

Model #	Description	Weight
400175	Knee Valve	4 lbs.
400136	Foot Valve, Base Mount	5 lbs.
400246	Foot Valve, Wall Mount	6 lbs.
400030	Deck Mount Faucet w/ Gooseneck Nozzle, 4" O.C. (fits Model SDP)	6 lbs.
400139	Splash Mount Gooseneck Nozzle (for Knee or Foot Operated Hand Sinks)	2 lbs.
400043	Splash Mount Faucet, 8" O.C., with Swivel Gooseneck Nozzle	6 lbs.
400065	Surgical Wrist Handles	1 lbs.
400104	Basket Waste (For 1 1/2" to 2" Openings)	1 lbs.