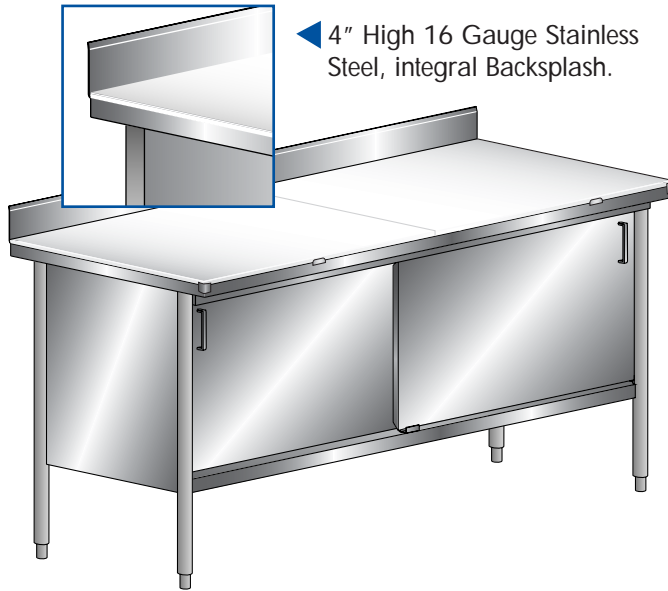


# cabinets

## POLSAN TOP ENCLOSED WITH DOORS



◀ 4" High 16 Gauge Stainless Steel, integral Backsplash.

### WITH BACKSPLASH

Model #	Size W x D	Weight
2C 110	36" X 24"	120 LBS.
2C 120	48" X 24"	145 LBS.
2C 130	60" X 24"	185 LBS.
2C 140	72" X 24"	215 LBS.
2C 150	84" X 24"	260 LBS.
2C 165*	96" X 24"	290 LBS.
2C 210	36" X 30"	130 LBS.
2C 220	48" X 30"	160 LBS.
2C 230	60" X 30"	200 LBS.
2C 240	72" X 30"	220 LBS.
2C 250	84" X 30"	280 LBS.
2C 265*	96" x 30"	310 LBS.

### THE CABINETS ON THIS PAGE HAVE THESE SAME HIGH QUALITY M&E FEATURES

- All stainless steel is high quality 304 series stainless steel.
- Fully enclosed with 304 series stainless steel.
- Doors glide easily on 304 Stainless Steel rollers
- Stainless Steel legs with 1" adjustable bullet feet.
- 34" to 35" work surface height.

\*\*All cabinets 96" and up come standard with 6 legs for extra support.

### ALSO AVAILABLE (specify when ordering)

- 36" work surface height.
- 3/4" Polsan top.

See accessories page for more options.



### WITH FLAT TOP

Model #	Size W x D	Weight
32C 110	36" X 24"	120 LBS.
32C 120	48" X 24"	145 LBS.
32C 130	60" X 24"	185 LBS.
32C 140	72" X 24"	210 LBS.
32C 150	84" X 24"	255 LBS.
32C 165*	96" X 24"	285 LBS.
32C 210	36" X 30"	125 LBS.
32C 220	48" X 30"	155 LBS.
32C 230	60" X 30"	195 LBS.
32C 240	72" X 30"	215 LBS.
32C 250	84" X 30"	275 LBS.
32C 265*	96" x 30"	305 LBS.